

I want to express a concern. Volunteers....when and who should be compensated from the project fund? Please keep in mind that I have not received any negative response from anyone on how I or the Board runs this project. This concern may be important to some people and unimportant to others. However, I do feel it has been mis-interpreted and misunderstood by some of the people.

Our Day-Out Program, volunteers are not compensated for anything. They pay for their lunch (\$1.25 goes toward our lunch fund) they pay for all the craft materials. Some volunteers put on alot of mileage looking for materials for crafts and transporting Isseis. They spend alot of time with craft work and planning programs and outing, so that, it will go over as smooth as possible.

On the other hand, our monthly outings.....project does compensate volunteers (drivers, most of the time the drivers are the same volunteers who put alot of time and mileage for the Day-out Program with no compensation) from the project funds. The rest of the volunteers who help with the outings pay 1/2 of the cost (lunch,theater, boat ride, whatever the event). The other half of the cost comes out of our lunch fund. The project will change our policy some, in that, persons joining us on our outings who normally do not participate in the program will pay full amount.

I am aware there has been events where the project has tickets left for an event (usually from last minute cancellation) and we have given away these tickets at no cost to the late participants.

The Board and I will manage the funds with the thought the Isseis will benefit from the contributions received from the community. Keep in mind our Issei's ages. They are not 65 to 80 years old. Only one or two is 80 to 85. The rest are 85 to 90, one is 98, but all strong in more ways than one. It take volunteers.....dedicated volunteers... one for one.....and with the community help we can continue to have a successful program.....

175
2/25
3/91

During the months of July & August, the project kinda takes a little vacation from all the activities. However, in August the Isseis went on their annual fishing derby at Trout-Air sponsored by the TC Buddhist Association. As usual, Mr. Miwa caught the most fish followed by first time out Mrs. Fujimoto.

175
2/25
3/91

In September the project felt it's about time we take the Isseis to a sporting event. So we borrowed the phrase "Off to the Races". Canterbury Downs. Isseis all had a chance to bet on a horse.....we had couple of bookies making the bets for them. I'm not too sure who made money, but it was a day for favorites.

For October....the project rented (2) 15 passenger vans and headed north to Taylor's Fall to see the Fall Colors. Lunch at Dalles House in Wisc, was great. On the way home we stopped at Aamondt's Apple Orchard. Since we didn't have dessert at the Dalles House, we plan to have an Apple pie at Aamondt, but they were so crowded that we brought 4 whole pies and had sort of a delayed picnic at Lake Elmo Park. Everyone enjoyed the warm and beautiful day.

Acknowledgements.....Donations received from Bill & Fuji Katayama, Toshiko Erickson, Dr. Akira Takemori and Kay Kushino.

Our thanks and appreciation to Ginko Lundin for preparing lunch for the Day-out Program on Sept. 3rd and on Oct. 1st. Mrs. Miwa's family prepared lunch on Sept. 17th. Our thanks to Toshiko Erickson, Akio and Yoshiye Kuga.

**PROJECT NEEDS VOLUNTEERS TO PREPARE LUNCH.
IF YOU CAN HELP CALL GINKO LUNDIN ON 831-7978**



NISEI STUDENT RELOCATION COMMEMORATIVE FUND, INC.

The Nisei Student Relocation Commemorative Fund (NSRCF) was established in 1979 by Japanese Americans who were assisted by the National Japanese American Student Relocation Council in the early 1940's to leave the camps in which they were interned to continue their college education elsewhere. Over 3000 Niseis were aided by this program and matriculated to more than 500 institutions of higher learning outside of the Western Defense Command (inland away from the restricted Pacific coastal areas).

The NSRCF was founded by a group of New England Niseis to express their gratitude for the help that was received by the Japanese American students and to repay for the help received by assisting others in need to further their education. This group solicited funds from other Niseis throughout the country and each year since 1983 interest from the fund has been used to award scholarships to needy Asian Americans - with the primary focus on the Southeast Asian Refugees.

The distribution of these scholarships is the function of the NSRCF. For example, in 1983 the NSRCF asked the San Francisco area to award eight \$500 scholarships, in 1984 the same was done in the New England area, in 1985 it was the Chicago area, in 1986 the Los Angeles area received the honor, and in 1987 it has been awarded to the Twin Cities area.

Acting in behalf of the NSRCF as a facilitator was Dr. Gladys Stone who brought together Carolyn Nayematsu, Yo Matsumoto, Esther Suzuki, and Tom Ohno to form the core of the group who will help organize the publicity, distribution of the applications, and granting the awards of the scholarships. What the group is looking for now are others who would be willing to serve on this committee. We are in need of people who would be willing to read through the scholarship applications. If you are willing to serve in any capacity, please notify Tom Ohno (831-5869). We will be meeting about once a month beginning this month (October 29) through May 1987.

HEY! HEY! OCTOBER GOLF OUTING

The weather really didn't cooperate, but we had our outing at Gross Golf Course, Sunday, Oct. 5th. It wasn't a "Big Time" golf tournament like giving away a Honda Car, but we did give away 25# of rice (donated by United Noodle Corp.) and a watch (donated by Frank Yanari)

Scott Takekawa won \$27 for 1st place (men's flight) Lil Tanaka won \$8. \$8 isn't much, but if you consider the condition of the course, (leaves) her score and the time of the year, it's better than \$7. Tsug Sumada won the rice & Junie Kawamura won the watch.

In the special events (3 golf balls for each event) Art Kato and Toshi Nishida were closest to line on the 1st fairway. Closest to pin prize went to Helen Tsuchiya and Gil Miyazaki. Closest to pin, 2nd shot was chipped by Ed Morioka and Sue Takekawa. Longest drive on the 10th fairway was ballooned by Sue Takekawa and blasted (with a 3 wood) by Bill Lang. Longest putt on the 18th green was sunk by Takashi Temma.

Our Thanks to Tom Kosobayashi, Pyramid Trim Products, and the TC JACL Chapter for donating the golf balls.

MINNESOTA NIKKEI PROJECT.....Sam Honda

With front row center section seats at the Guthrie, Isseis enjoyed Kita Noh Theater Company of Tokyo. Noh, a form of Japanese traditional theater practiced since the 14th century and....Isseis were close enough to observe some of the details.

On May 17th, Joe and Katsuko Sato invited Issei over to their home for a back yard picnic. Before leaving for Chicago, Sato's gave away many items left over from their shoten (store) to the Isseis.

On June 28th, Issei enjoyed the stage play "The King and I" at the Ordway. Our thanks to Rev. Matsuda for writing and explaining the story (in Japanese) before going to see the play.

Our "Open House" turned out 97 people on a very hot day. Thanks to the Isseis for bringing all their crafts they made during the year and displaying their work.

ACKNOWLEDGEMENTS

On May 7th lunch for the Day-out Program was prepared by Grace Ohama, Kathy Ohama and Patty Gilvin. The St. Paul-Nagasaki Sister City Committee donated 5 Mandarin Orange Ice Cream Pie for dessert. Fuji Katayama brought "Okashi" from Japan. Helen Akaki made origami nut cups filled with sembei and chocolate kisses.

On May 14th a special birthday lunch for Mrs Nishimura's 90th birthday was prepared by Hisa Osada, Barbara Temma and Mae Miyazaki. Birthday cake was made by Mieko Ikeda.

On June 4th Nikkei Project purchased lunch from Church's Chicken. We had fried chicken, rolls and ice cream. Ginko Lundin made tossed salad.

On June 18th Ginko Lundin prepare lunch for the group again.

Donations received from Mrs. Fujimoto	Alice & Yosh Matsumoto
Mickey & Tatsuko Ogata	Shizuko Keegan
Dr. Akira Takemori	Tom & Martha Oye
Tom & Sets Kanno	Sam Higuchi Memorial
Tak & Mary Tsuchiya	Mrs. Yoshida Memorial

We normally do not place ads in our newsletter, this time we will make an exception.

DREAM HOME

OUTSTANDING 4½ YEAR OLD CONTEMPORARY JAPANESE AMERICAN STYLE HOME ON A FANTASTIC LOT IN SHOREVIEW HAS JUST BECOME AVAILABLE. OWNED BY YOSHIKO AND JIM HUSETH THIS 3300 SQUARE FOOT HOME COULD NICELY ACCOMMODATE A COUPLE, A FAMILY WITH CHILDREN OR AN EXTENDED FAMILY. CHILDREN COULD ATTEND THE ROSEVILLE PUBLIC SCHOOLS, RECIPIENTS OF MANY NATIONAL AND STATE AWARDS IN MATH, SCIENCE, ART AND MUSIC, AND SCORING AT THE TOP OF THE NATION ON SCHOLASTIC ACHIEVEMENT TESTS. AMONG THE JAPANESE FEATURES AVAILABLE IN THIS HOME ARE A TEA ROOM (NAHON-MA), TWO TOKONOMAS, A JAPANESE BATH (FURO), SHOJI SCREENS AND A JAPANESE GARDEN WITH MINI WATERFALL. BEST OF QUALITY THROUGHOUT. ONLY A JOB TRANSFER MAKES THIS HOME AVAILABLE. OFFERING PRICE: \$329,000. FOR PRIVATE SHOWING PLEASE CALL PAT GAVAN WITH EDINA REALTY: 489-3596 OR 636-3760.

JACL GOLF TOURNAMENT

TIMBER CREEK GOLF COURSE

SUNDAY, AUGUST 10, 1986

FIRST TEE: 9:00 AM

ENTRY FEE: \$8.00 LIMITED TO 100 PLAYERS
PAY YOUR GREEN FEES AT THE COURSE 35 CARTS AVAILABLE

DINNER AFTER GOLF AT CHINA LORD RESTAURANT
\$12.00 PER PERSON (INCLUDES TAX AND TIP)
NON GOLFERS WELCOMED Dinner at 6-6:30

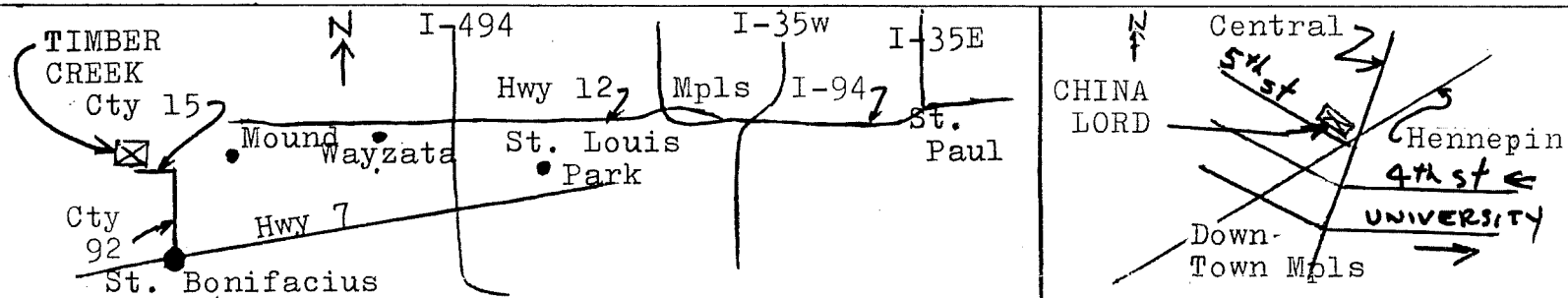
CHINA LORD RESTAURANT - 501 E. HENNEPIN.... Entrance on 5th street

SEND ENTRY FEE AND DINNER RESERVATIONS TO:

SAM GOTO
412 - 15TH AVE. S.E.
ST. CLOUD, MN 56301

CHECKS TO BE MADE PAYABLE TO JACL GOLF
DEADLINE: AUGUST 4TH

YUTAKA MOROHOSHI, CHAIRMAN RT. 2 SAUK RAPIDS, MN 1-252-4432



ENTRY FEE AND DINNER RESERVATION BLANK

NAME _____ PHONE _____

ADDRESS _____
STREET CITY STATE ZIP

AVERAGE GOLF SCORE _____ OR HANDICAP FOR 18 HOLES _____
MAX. HCP: MEN 36 WOMEN 45

COURSESOME PREFERENCE _____

ENTRY FEE ENCLOSED - \$ 8.00 TOTAL ENCLOSED \$ _____

NUMBER OF DINNER RESERVATIONS - \$ 12.00 PER PERSON